

Easy Fuel Flow Meter AIC 700 NEMO



- Accuracy better than 0.5 %
- Fuel consumption flow meter
- Temporary or permanent mount
- PT 1000 temperature probe for fuel consumption in volume and mass flow as well as CO2 exhaustion

The AIC - 700 NEMO flow meter has been designed for a permanent or temporary mount on vehicles with small engine compartment. Fast and intuitive installation.

Applications:

- Diesel engine testing
- Small trucks
- Vans, mini-buses, mobilhomes
- Small agriculture and constructing machines
- Turbo-machinery development technology
- Compact sales tool to convince your customer to choose your vehicle

Media that can be measured:

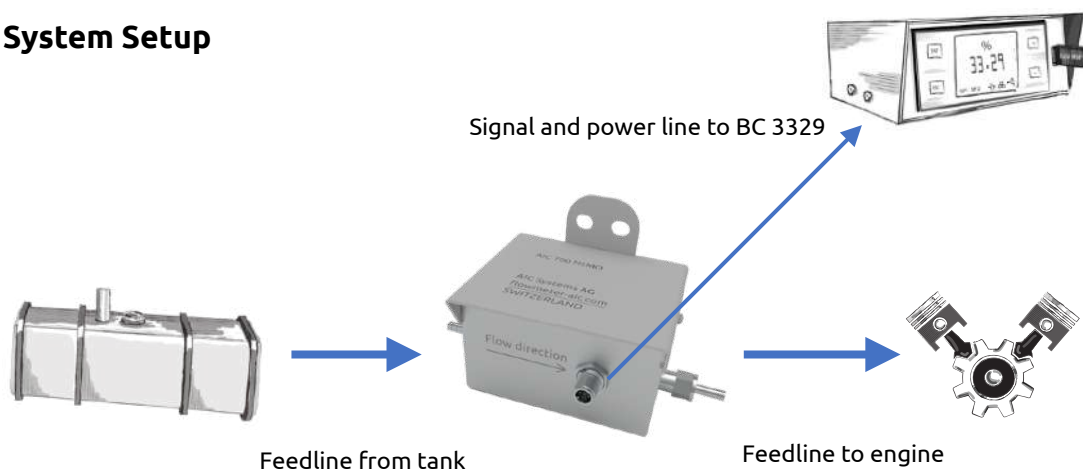
- Suitable for diesel, HVO, Biodiesel B100, B30, fuel light, medium, heavy, fuel blends, Naphtha, AdBlue, hydraulic oils, Lubricating oils. For any fluids according to ISO 8217-2012 standard.

Features and benefits:

- Highest accuracy for monitoring your equipment
- Small footprint and robust housing for shock protection
- New generation of mechanical flowmeters of proven technology since more than 40 years
- Excellent price-performance ratio
- AIC flow meters work on all fuel injection types including engines with fuel injection of latest generations



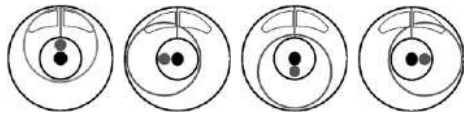
System Setup



Technology

Rotary piston technology

After decades of experience, AIC SYSTEMS Ltd. has opted for the reliable volumetric flow meter technology. The rotary piston technology fits the fuel consumption measuring principle ideally. A single moving piston oscillates softly in a measuring chamber protected by a thin layer of fuel maintaining the piston self floating. This allows the meter to have the less possible mechanical friction, thus reduced wear. Under normal working conditions the line pressure loss ahead of the measuring cell is of max. 100 mbar.



Typical AIC 700 NEMO Installation

Flow Meter AIC 700



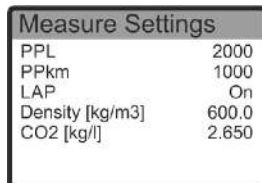
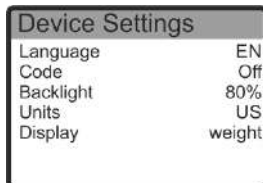
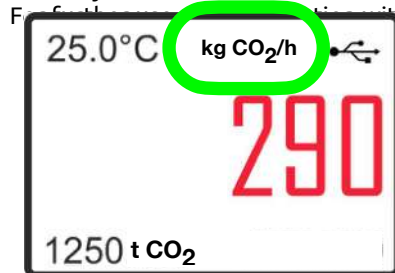
Signal cable

Board computer BC 3329



Board Computer BC3329 NEMO

On the Board Computer BC3329 NEMO has in addition input for temperature and density. All measured values can be easily seen and written off the large display and are logged on the USB stick in CSV format. For further details see the manual available on the website.



Type: BC3329									
Serial	131								
FW Ver.	9.5								
PPL	2000								
PPkm	175								
Date:	Time:	current Consumption:	Temperature:	Total Consumption:	Q Consumption:	Speed:	Q Speed:	CO2:	
22.5.19	07:57:09	149.8 l/h	40.9 °C	25033.7 l	148.8 l/h	2 km/h	1.7 km/h	11234 km	
22.5.19	07:57:11	149.2 l/h	40.6 °C	25032.7 l	148.6 l/h	2 km/h	1.7 km/h	11234 km	
22.5.19	07:57:13	148 l/h	40.8 °C	25031.8 l	148.6 l/h	3 km/h	1.7 km/h	11234 km	
22.5.19	07:57:15	148.5 l/h	40.5 °C	25030.9 l	148.8 l/h	4 km/h	1.7 km/h	11234 km	
22.5.19	07:57:17	148 l/h	40.5 °C	25034 l	148.8 l/h	6 km/h	1.7 km/h	11234 km	
22.5.19	07:57:19	149.1 l/h	40.5 °C	25034.1 l	148.6 l/h	8 km/h	1.7 km/h	11234 km	
22.5.19	07:57:21	147.9 l/h	40.5 °C	25034.2 l	148.6 l/h	10 km/h	1.7 km/h	11234 km	
22.5.19	07:57:23	145.9 l/h	40.5 °C	25034.2 l	148.6 l/h	12 km/h	1.7 km/h	11234 km	
22.5.19	07:57:27	145.9 l/h	40.5 °C	25034.3 l	148.6 l/h	10 km/h	1.7 km/h	11234 km	
22.5.19	07:57:29	149.9 l/h	40.5 °C	25034.5 l	148.6 l/h	10 km/h	1.7 km/h	11234 km	
22.5.19	07:57:31	147.6 l/h	40.5 °C	25034.6 l	148.6 l/h	10 km/h	1.7 km/h	11234 km	
22.5.19	07:57:33	150.2 l/h	40.3 °C	25034.7 l	148.6 l/h	10 km/h	1.7 km/h	11234 km	
22.5.19	07:57:35	149.5 l/h	40.3 °C	25034.7 l	148.6 l/h	10 km/h	1.7 km/h	11234 km	
22.5.19	07:57:37	147.6 l/h	40.4 °C	25034.8 l	148.6 l/h	10 km/h	1.7 km/h	11234 km	
22.5.19	07:57:39	148.6 l/h	40.4 °C	25034.9 l	148.6 l/h	10 km/h	1.7 km/h	11234 km	
22.5.19	07:57:41	148 l/h	40.4 °C	25035 l	148.6 l/h	10 km/h	1.7 km/h	11234 km	
22.5.19	07:57:43	145.2 l/h	40.4 °C	25035.1 l	148.6 l/h	10 km/h	1.7 km/h	11234 km	

AIC 700 NEMO SET

AIC 700 NEMO Set is delivered in a protective transport case and consists of:

- AIC 700 NEMO
- BC 3329 NEMO
- Cabin stand
- 5m signal cable



Implementation of the return line

Easy implementation with optional T-piece



Technical data

General Data

Manufacturer	AIC SYSTEMS AG
Product designation	AIC 700 NEMO

Mechanical Data

Dimensions (l x w x h)	165 x 90 x 90 mm / 6.5 x 3.5 x 3.5 "
Weights	ca. 1.0 kg / 2.2 lb
Hydraulic nozzles connection	8,5 mm _ 1/3 "

Materials

Flow meter - sensor	Brass, aluminium
O - rings	Viton™
Connectors	Steel protection TAAC3, stainless steel,
Housing	2 mm stainless steel 1.4301

Flow sensor

Measurement principle	Volumetric, oscillating piston, with microprocessor controlled pulse emitter
Measuring range	AIC 704 NEMO 1 to 80 l/h _ 0.26 to 22 gph AIC 708 NEMO 4 to 200 l/h _ 0.26 to 22 gph
Max. permissible error of actual value	< ±0.5 %
Repeatability	Better than 0.2 % of reading
Admissible pressure	-1 to 25 bar
Mounting position	Horizontal
Operating temperature	-30.....90 C°
Ingress protection	Sensor and electronic, IP 64

Temperature sensor

PT 1000	IEC60751 F 0.3
---------	----------------

Electrical connection

Power supply	8 - 28 VDC
Pulse signal	NPN open -collector; square 0.7 ms pulse width
Signal connector	M 12 / 8 pin

All informations are subject to change.

